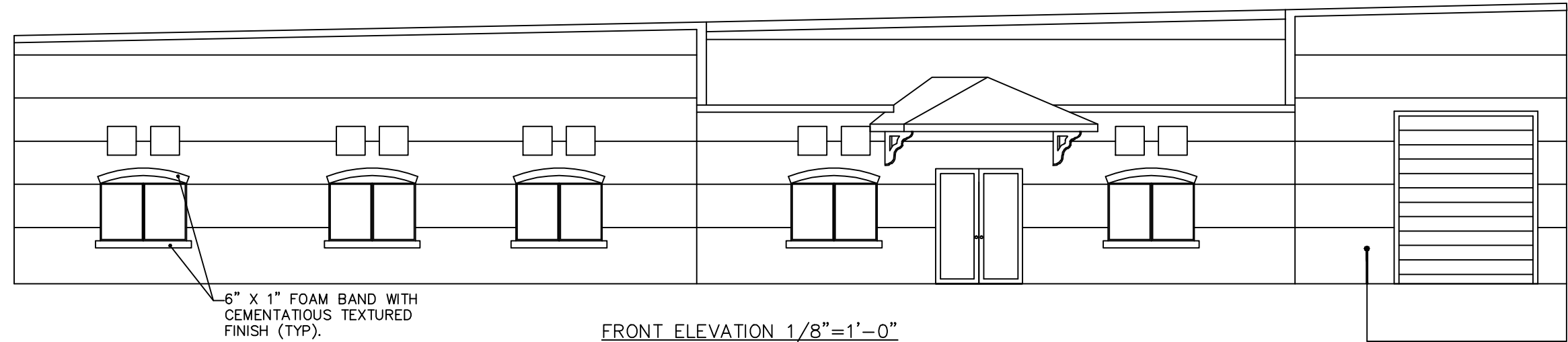


FLOOR PLAN 1/16"=1'-0"

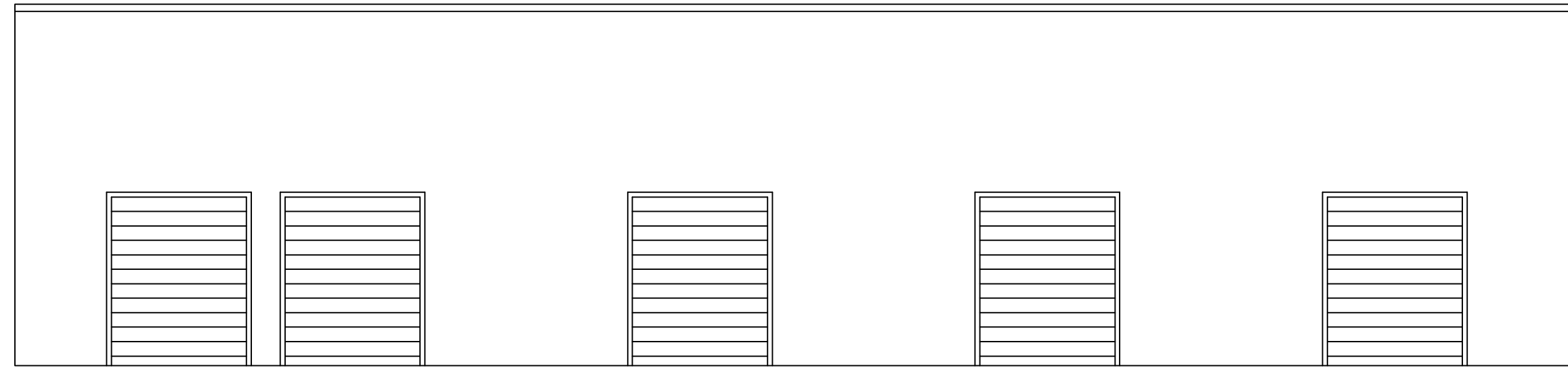
DOOR SCHEDULE										
U/L	STYLE	MATERIAL	#	H	W	LOADING	LOOSE	SPRINK	FRAME OR CASE EYE	HYDRANT
1	ALUM	WTL	36"	84"	36"	YES	YES	0	MIN	NO
2	ALUM	WTL	36"	84"	36"	YES	YES	0	MIN	NO
3	ALUM	WTL	36"	84"	36"	YES	YES	0	MIN	NO
4	ALUM	WTL	36"	84"	36"	YES	YES	0	MIN	NO
5	ALUM	WTL	36"	84"	36"	YES	YES	0	MIN	NO
6	ALUM	WTL	36"	84"	36"	YES	YES	0	MIN	NO
7	ALUM	WTL	36"	84"	36"	YES	YES	0	MIN	NO
8	ALUM	WTL	36"	84"	36"	YES	YES	0	MIN	NO
9	ALUM	WTL	36"	84"	36"	YES	YES	0	MIN	NO
10	ALUM	WTL	36"	84"	36"	YES	YES	0	MIN	NO
11	ALUM	WTL	36"	84"	36"	YES	YES	0	MIN	NO
12	ALUM	WTL	36"	84"	36"	YES	YES	0	MIN	NO
13	ALUM	WTL	36"	84"	36"	YES	YES	0	MIN	NO
14	ALUM	WTL	36"	84"	36"	YES	YES	0	MIN	NO
15	ALUM	WTL	36"	84"	36"	YES	YES	0	MIN	NO
16	ALUM	WTL	36"	84"	36"	YES	YES	0	MIN	NO
17	ALUM	WTL	36"	84"	36"	YES	YES	0	MIN	NO
18	ALUM	WTL	36"	84"	36"	YES	YES	0	MIN	NO
19	ALUM	WTL	36"	84"	36"	YES	YES	0	MIN	NO
20	ALUM	WTL	36"	84"	36"	YES	YES	0	MIN	NO

WINDOW SCHEDULE						
U/L	STYLE	#	H	FRAME	GLASS	COMMENTS
1	IMPACT	36"	48"	ALUM	WTL	IMPACT (TINTED)
2	IMPACT	36"	48"	ALUM	WTL	IMPACT (TINTED)
3	IMPACT	36"	48"	ALUM	WTL	IMPACT (TINTED)
4	IMPACT	36"	48"	ALUM	WTL	IMPACT (TINTED)
5	IMPACT	36"	48"	ALUM	WTL	IMPACT (TINTED)
6	IMPACT	36"	48"	ALUM	WTL	IMPACT (TINTED)
7	IMPACT	36"	48"	ALUM	WTL	IMPACT (TINTED)
8	IMPACT	36"	48"	ALUM	WTL	IMPACT (TINTED)
9	IMPACT	36"	48"	ALUM	WTL	IMPACT (TINTED)
10	IMPACT	36"	48"	ALUM	WTL	IMPACT (TINTED)
11	IMPACT	36"	48"	ALUM	WTL	IMPACT (TINTED)
12	IMPACT	36"	48"	ALUM	WTL	IMPACT (TINTED)
13	IMPACT	36"	48"	ALUM	WTL	IMPACT (TINTED)
14	IMPACT	36"	48"	ALUM	WTL	IMPACT (TINTED)
15	IMPACT	36"	48"	ALUM	WTL	IMPACT (TINTED)
16	IMPACT	36"	48"	ALUM	WTL	IMPACT (TINTED)
17	IMPACT	36"	48"	ALUM	WTL	IMPACT (TINTED)
18	IMPACT	36"	48"	ALUM	WTL	IMPACT (TINTED)
19	IMPACT	36"	48"	ALUM	WTL	IMPACT (TINTED)
20	IMPACT	36"	48"	ALUM	WTL	IMPACT (TINTED)

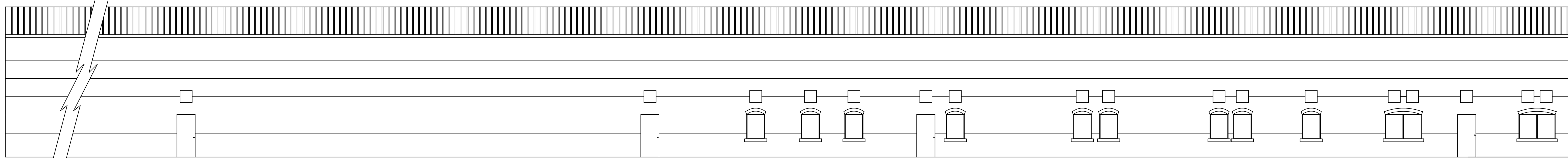
DOOR NOTES:
 1. HOLLOW GLASS WITH WEATHER STRIPPING
 2. IMPACT GLASS



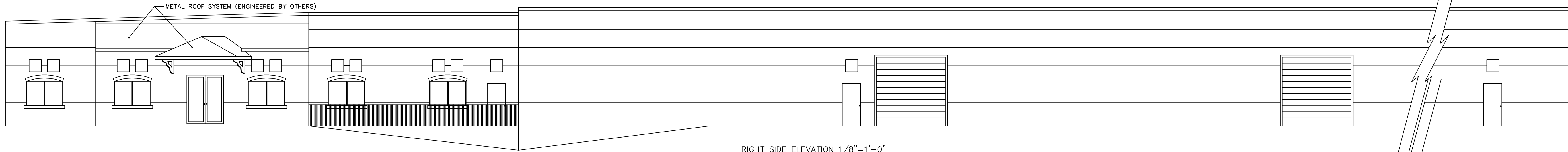
FRONT ELEVATION 1/8"=1'-0"



REAR ELEVATION 1/8"=1'-0"



LEFT SIDE ELEVATION 1/8"=1'-0"



RIGHT SIDE ELEVATION 1/8"=1'-0"

PROJECT NAME: BLANK FOR SECURITY
 PROJECT LOCATION BLANK FOR SECURITY

THIS AS-BUILT DRAWING WAS PREPARED BY:
 AS BUILT PROFESSIONALS
 A SERVICE OF A.E.C. CONSULTANTS, INC.
 WWW.ASBUILTPROFESSIONALS.COM
 866-903-8842
 INLL, INC.

JOB NO.
 000-00-00

SHEET
 AB-1 of AB-1