

AS-BUILT DOCUMENTATION

DOUBLE TREE HOTEL

Flagstaff, AZ 86001



100% SUBMITTAL

DRAWING INDEX

- C-1 COVER SHEET | DRAWING INDEX
- AB-1 FLOOR PLAN
- AB-2 REFLECTED CEILING PLAN

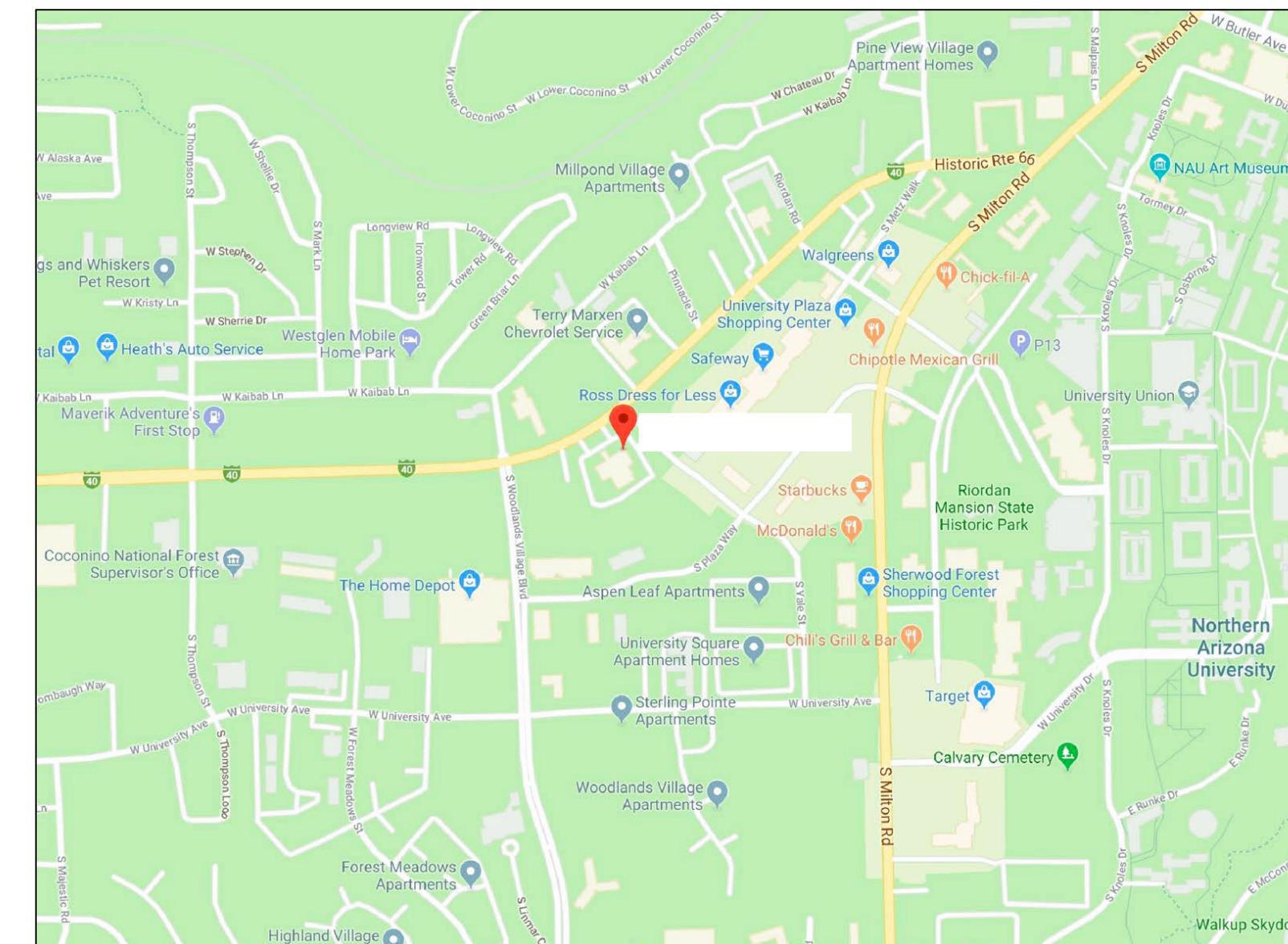
As BUILT
PROFESSIONALS
www.asbuiltprofessionals.com



© 2018 AEC CONSULTANTS, INC.

ARCHITECTURAL AS BUILT
DOUBLE TREE HOTEL

Flagstaff, AZ 86001



VICINITY MAP
NTS

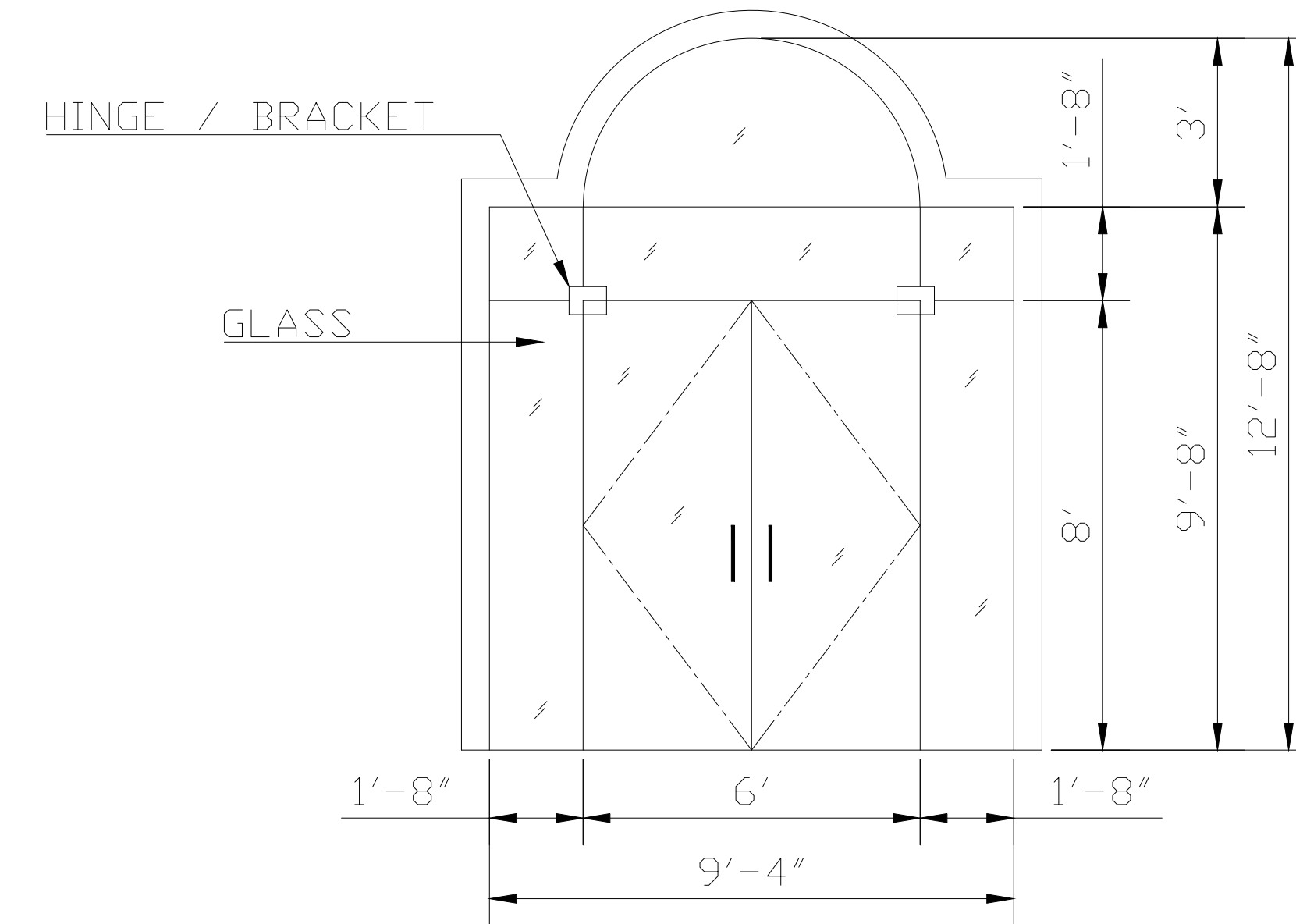
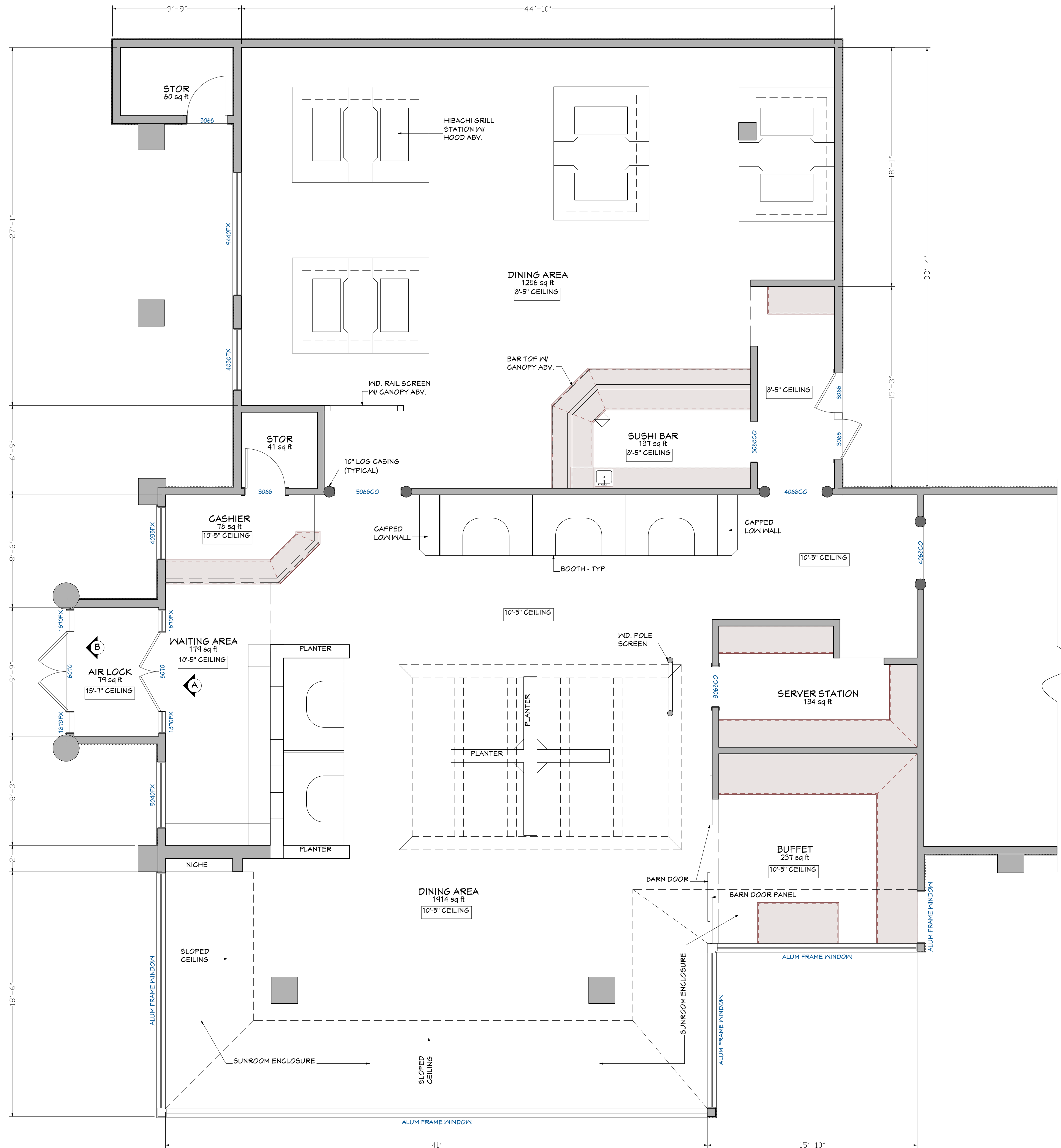
AREA DATA	
CONDITIONED FIRST FLOOR	4,250 S.F. ±
GRAND TOTAL	4,250 S.F. ±

01	100% SUBMISSION	SEE COVER SHEET
NO.	ISSUES REVISIONS	DATE
		SHEET TITLE

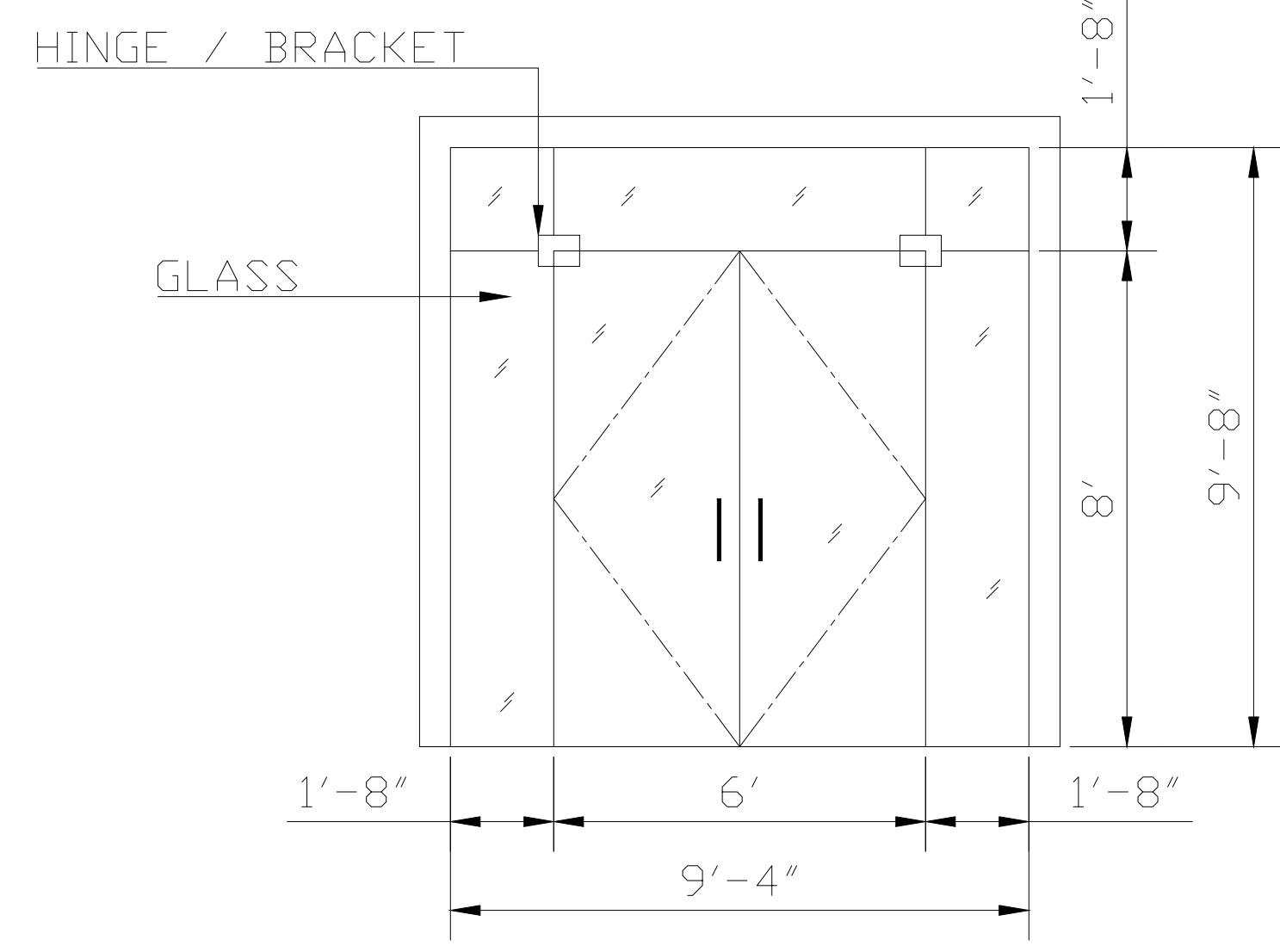
COVER SHEET

HL	PROJECT MANAGER
HL	PROJECT DIRECTOR
XXXX	PROJECT NUMBER
	SCALE
BLM	DRAWN BY
	SHEET NUMBER

C-1



B ELEVATION
Scale: 3/8"=1'-0"



A ELEVATION
Scale: 3/8"=1'-0"

ARCHITECTURAL AS BUILT
DOUBLE TREE HOTEL

Flagstaff, AZ 86001

01	100% SUBMISSION	SEE COVER SHEET
----	-----------------	-----------------

NO.	ISSUES REVISIONS	DATE
-----	--------------------	------

	SHEET TITLE
--	-------------

HL	PROJECT MANAGER
----	-----------------

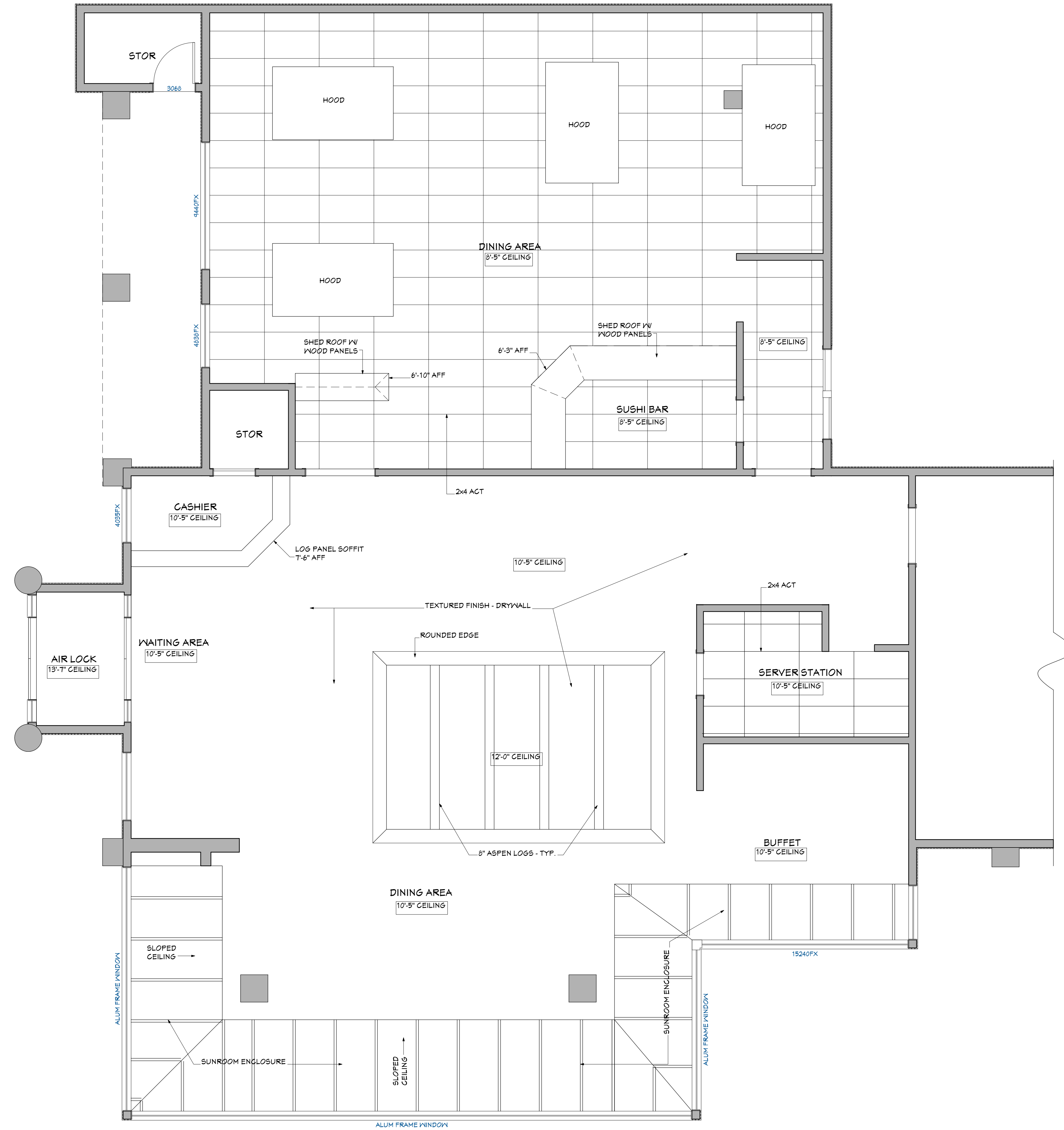
HL	PROJECT DIRECTOR
----	------------------

XXXX	PROJECT NUMBER
------	----------------

1/4"=1'-0"	SCALE
-------------------	-------

BLM	DRAWN BY
-----	----------

	SHEET NUMBER
--	--------------



ARCHITECTURAL AS BUILT
DOUBLE TREE HOTEL

Flagstaff, AZ 86001

01	100% SUBMISSION	SEE COVER SHEET
NO.	ISSUES REVISIONS	DATE
SHEET TITLE		
HL	PROJECT MANAGER	
HL	PROJECT DIRECTOR	
XXXX	PROJECT NUMBER	
1/4"=1'-0"		SCALE
BLM	DRAWN BY	
		SHEET NUMBER