

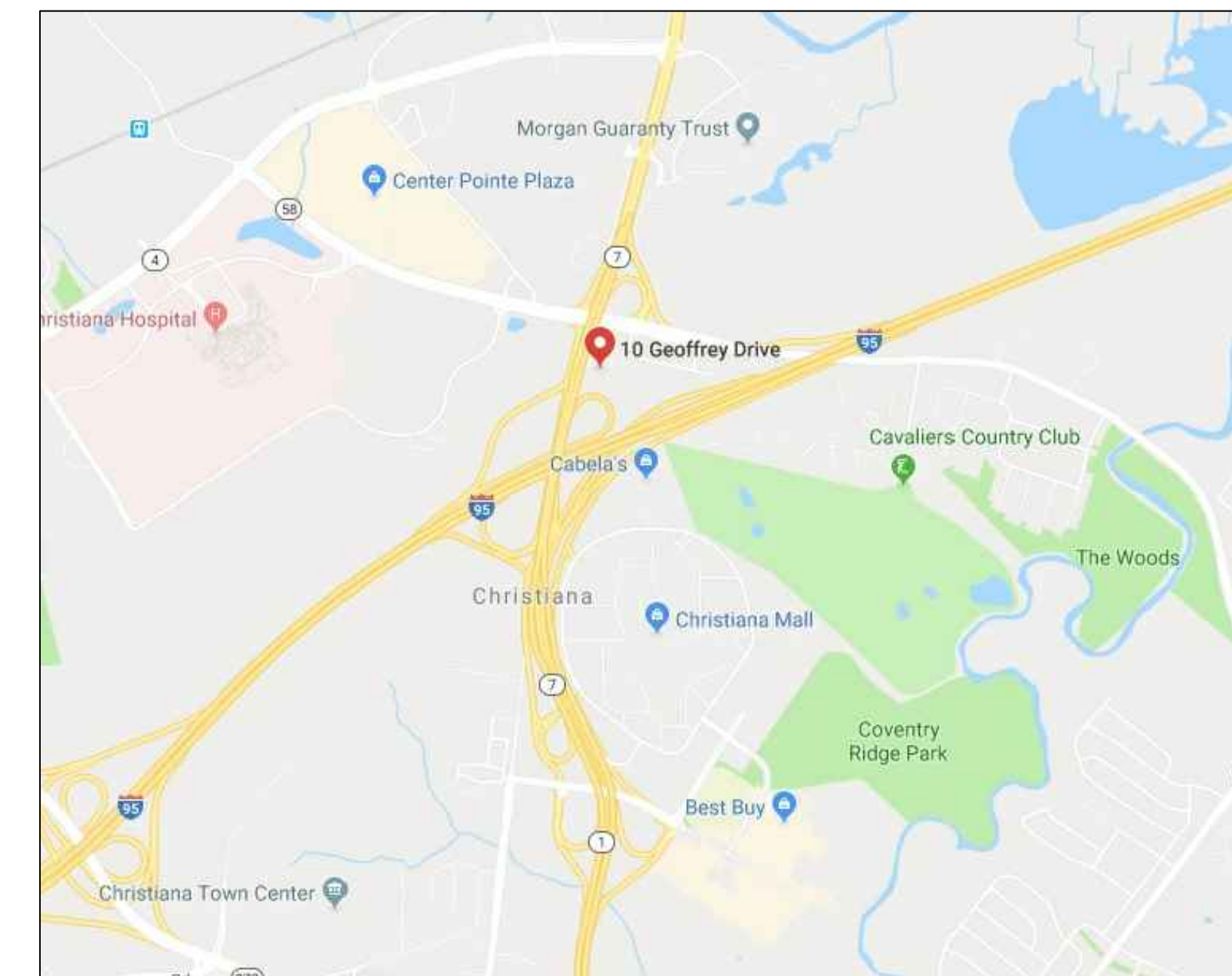
# AS-BUILT DOCUMENTATION

# Newark DE 19713



## DRAWING INDEX

- C-1 COVER SHEET | DRAWING INDEX
- SL SYMBOLS LEGEND
- AB-1 EXTERIOR ELEVATIONS
- AB-2 FLOOR PLAN



**VICINITY MAP**  
NTS

AREA DATA	
CONDITIONED SPACE	46,873 S.F. ±

**AS BUILT PROFESSIONALS**  
www.asbuiltprofessionals.com  
A DIVISION OF:  
**AEC CONSULTANTS INC**  
844.272.8458  
844 AS BUILT  
© 2018 AEC CONSULTANTS INC

**ARCHITECTURAL AS BUILT  
Newark, DE 19713**

NO.	ISSUES   REVISIONS	DATE	SHEET TITLE
01	100% SUBMISSION		SEE COVER SHEET

**COVER SHEET**

HL	PROJECT MANAGER
HL	PROJECT DIRECTOR
-	PROJECT NUMBER
AS NOTED	SCALE
CL	DRAWN BY
	SHEET NUMBER

**C-1**

**100% SUBMITTAL**

# SYMBOLS LEGEND

NOT TO SCALE

## RCP

- EXHAUST VENT
- CEILING MOUNTED LIGHT FIXTURE
- CEILING MOUNTED DIRECTIONAL LIGHT
- RECESSED CAN LIGHT
- EYEBALL OR SMALL CAN LIGHT
- PENDANT LIGHT
- INDIVIDUAL FLUOR. LAY-IN FIXTURE 4 BULB
- INDIVIDUAL FLUOR. HANGING FIXTURE 2 BULB
- INDIVIDUAL FLUOR. FLUSH MOUNT FIXTURE 4 BULB
- CAMERA
- MOTION DET.
- SUPPLY VENT
- SUPPLY VENT
- RETURN VENT
- RETURN VENT
- SPEAKER
- TRACK LIGHT OR VANITY LIGHT
- WALL-MOUNTED LIGHT FIXTURE
- EMERGENCY EXIT SIGN
- EMERGENCY EXIT LIGHT
- EMERGENCY EXIT LIGHT W/ SIGN
- LIGHTED STAIR SIGN
- FLOOD LIGHT
- PHOTO CELL
- CEILING FAN
- CEILING FAN W/ LIGHT KIT
- JUNCTION BOX

**7-2-6** CEILING HEIGHT AND TRIM 7'-2" ABOVE FLOOR BELOW WITH 6" CROWN MOULDING. NOTE: ALL CEILINGS NOT LABELED ARE PLASTER. CEILINGS SHOWN WITH A GRID ARE LAY IN ACOUSTICAL TILE..

## ELECTRIC

- DATA OUTLET
- TELEPHONE JACK
- ELECTRIC SWITCH
- CABLE TELEVISION OUTLET
- DUPLEX RECEPTACLE OUTLET
- SPECIAL PURPOSE CONNECTION OR OUTLET
- QUADRUPLEX RECEPTACLE OUTLET
- FLOOR DUPLEX RECEPTACLE OUTLET
- ELECTRIC PANEL
- ELECTRIC METER
- BUTTON SWITCH
- DISCONNECT SWITCH
- GROUND/FLOOR LIGHT
- KEY PAD

## FIRE PROTECTION

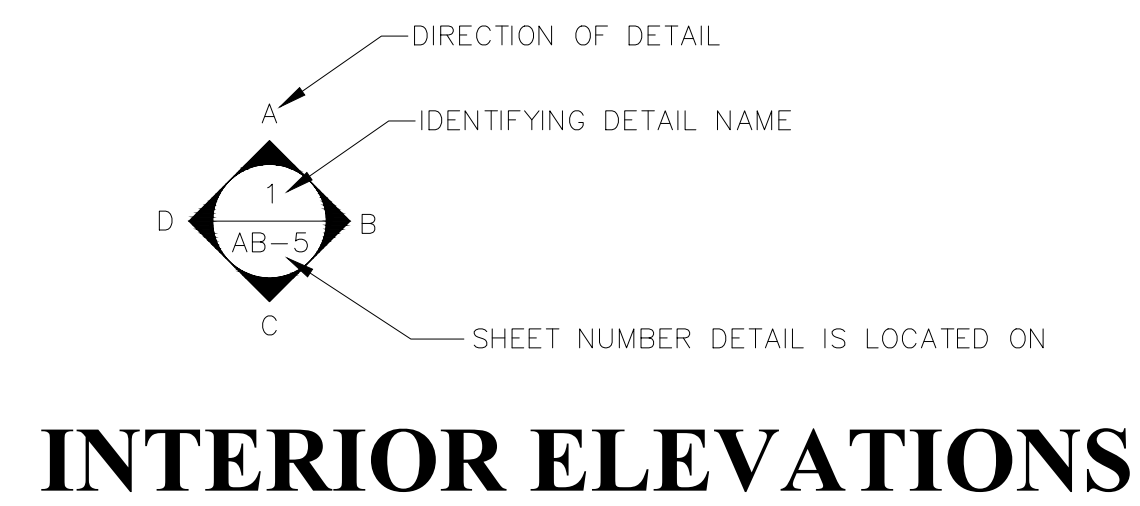
- FIRE EXTINGUISHER
- FIRE PULL
- FIRE ALARM (HORN/SRTO)
- SMOKE DETECTOR
- SMOKE ALARM SPEAKER
- SPRINKLER HEAD CEILING MOUNT
- SPRINKLER HEAD WALL MOUNT

## MEP

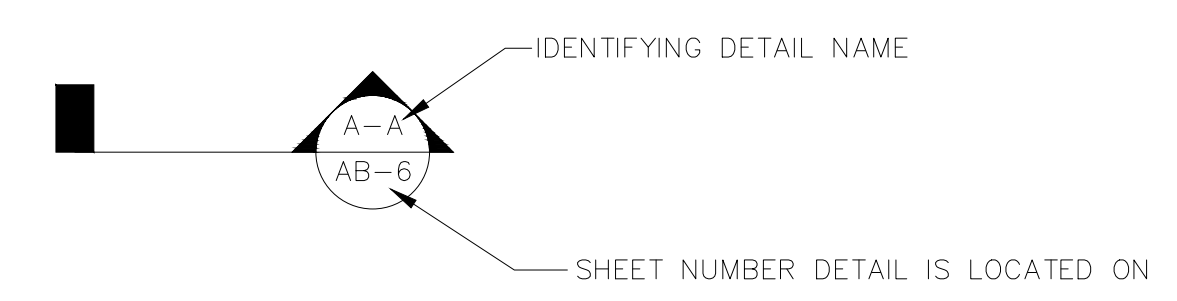
- THERMOSTAT
- FLOOR DRAIN
- VALVE
- HOSE BIB
- WATER SUPPLY
- SUSPENDED GAS HEATER

## MISC

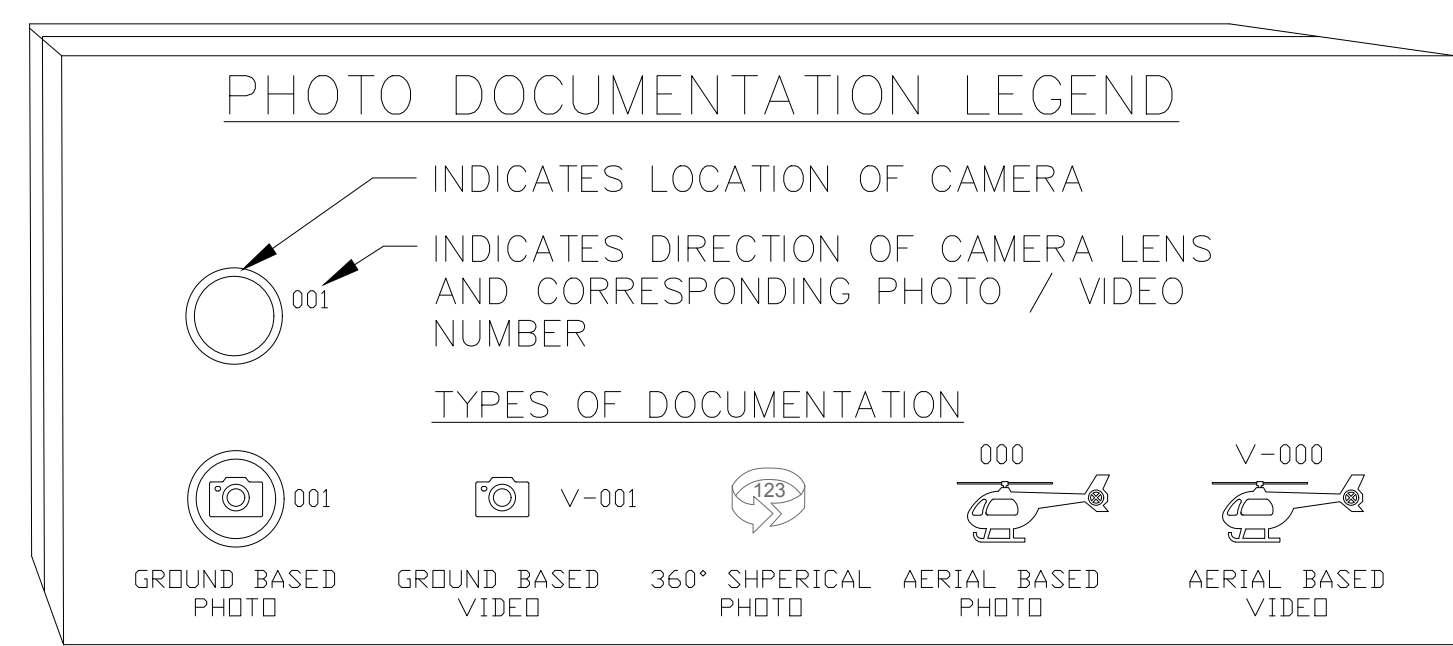
- BOLLARD
- SPOT ELEVATION



**INTERIOR ELEVATIONS**



**BUILDING SECTION**

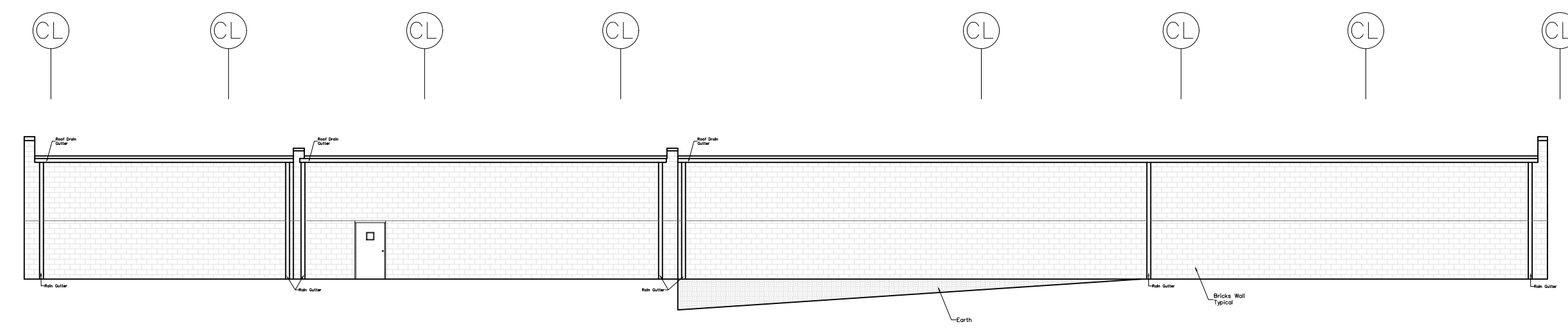


**ARCHITECTURAL AS BUILT**  
**Newark, DE 19713**

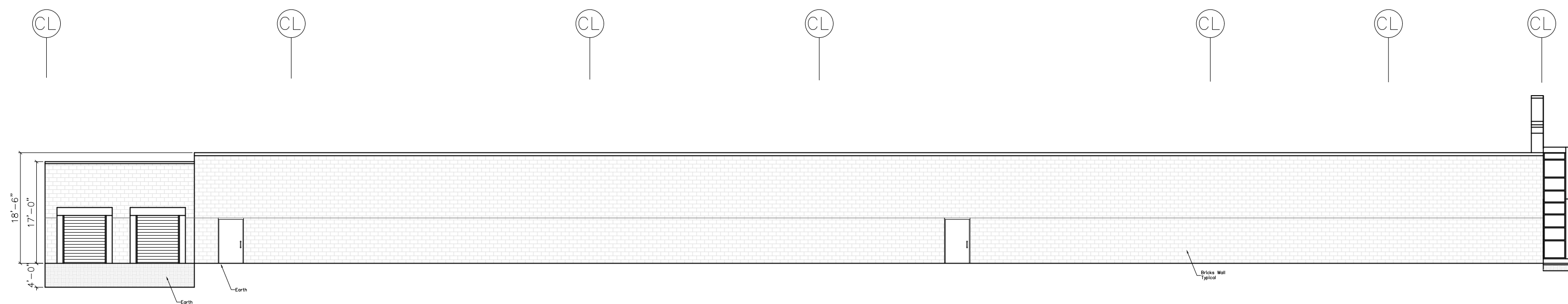
01	100% SUBMISSION	SEE COVER SHEET
NO.	ISSUES   REVISIONS	DATE
SHEET TITLE		

HL	PROJECT MANAGER
HL	PROJECT DIRECTOR
-	PROJECT NUMBER
AS NOTED	SCALE
CL	DRAWN BY
	SHEET NUMBER

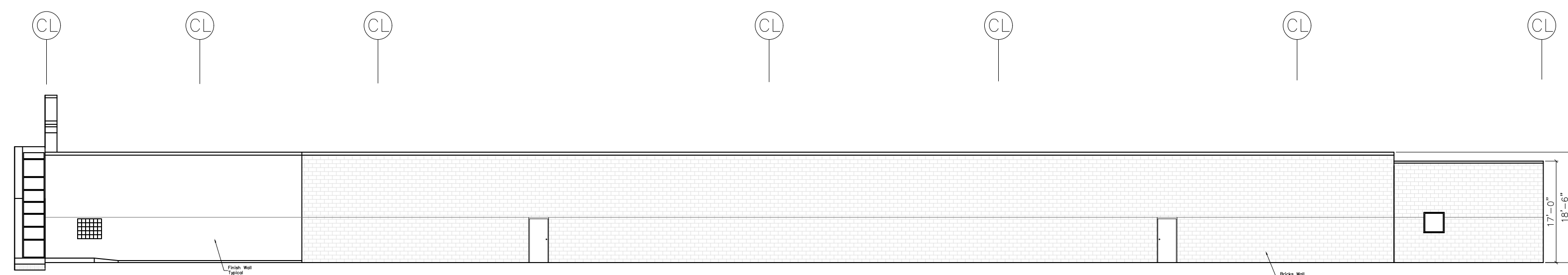
**SL**



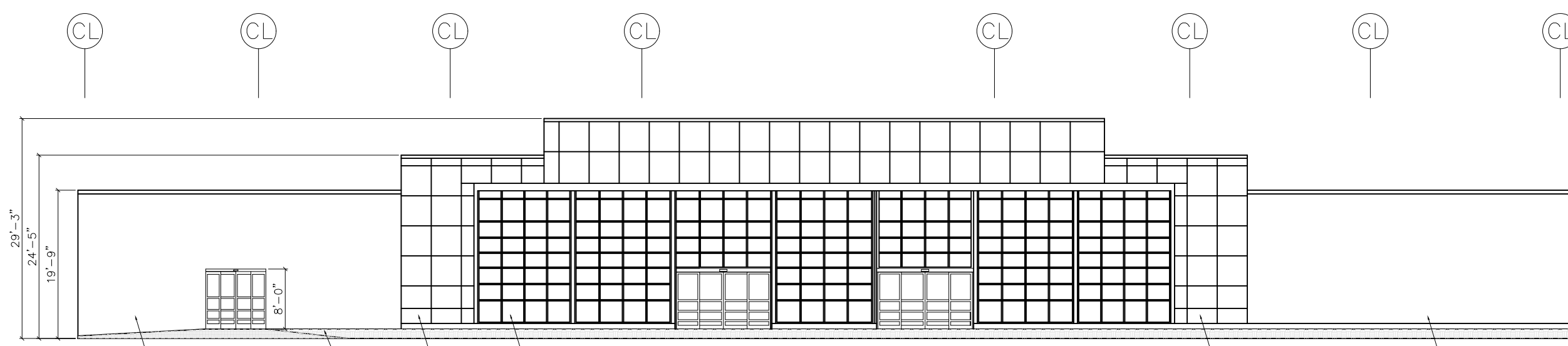
REAR ELEVATION  
 SCALE 1/16" = 1'-0"



LEFT SIDE ELEVATION  
 SCALE 1/16" = 1'-0"



RIGHT SIDE ELEVATION  
 SCALE 1/16" = 1'-0"



FRONT ELEVATION  
 SCALE 1/16" = 1'-0"

**ARCHITECTURAL AS BUILT**  
**Newark, DE 19713**

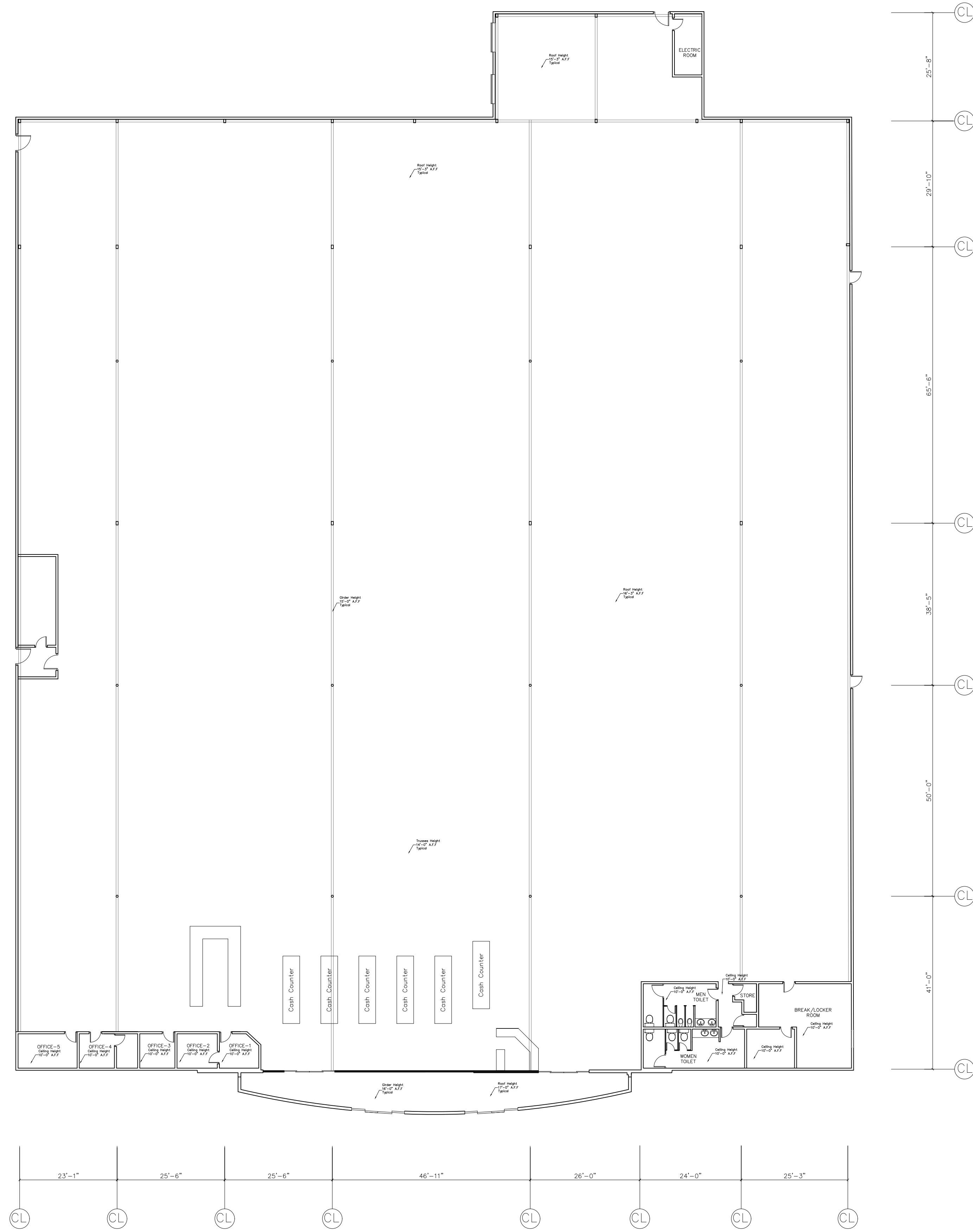
01	100% SUBMISSION	SEE COVER SHEET
NO.	ISSUES   REVISIONS	DATE

HL	PROJECT MANAGER
HL	PROJECT DIRECTOR
-	PROJECT NUMBER
AS NOTED	SCALE
CL	DRAWN BY
	SHEET NUMBER

**AB-1**

**ARCHITECTURAL AS BUILT**

**Newark, DE 19713**



MAIN FLOOR PLAN  
 SCALE 1/16" = 1'-0"

01	100% SUBMISSION	SEE COVER SHEET
NO.	ISSUES   REVISIONS	DATE
SHEET TITLE		

HL	PROJECT MANAGER
HL	PROJECT DIRECTOR
-	PROJECT NUMBER
AS NOTED	SCALE
CL	DRAWN BY
	SHEET NUMBER

**AB-2**